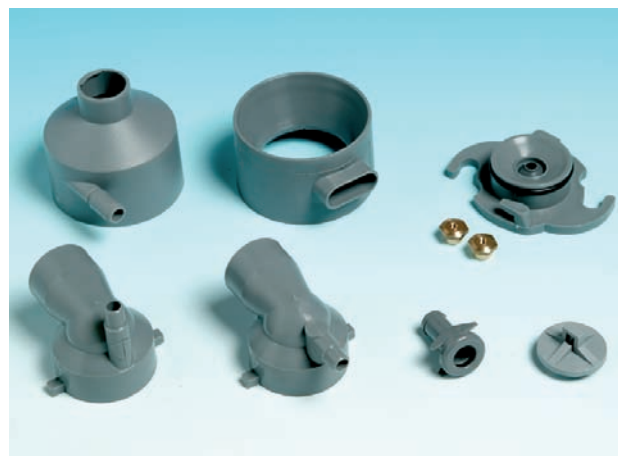


## MIXING UNITS



### GENERAL CHARACTERISTICS

The Kenta's mixing units components are designed to comply with the special vending sector requirements of a homogeneous and precise mixing of different soluble products. Over 20 years of experience in this field have led to the manufacture of articles with an excellent mixing performance and a rapid assembly and disassembly procedure for cleaning purposes. Special motor whippers (see catalogue MOTOR WHIPPERS) complete our mixing system program.

### TYPICAL APPLICATIONS

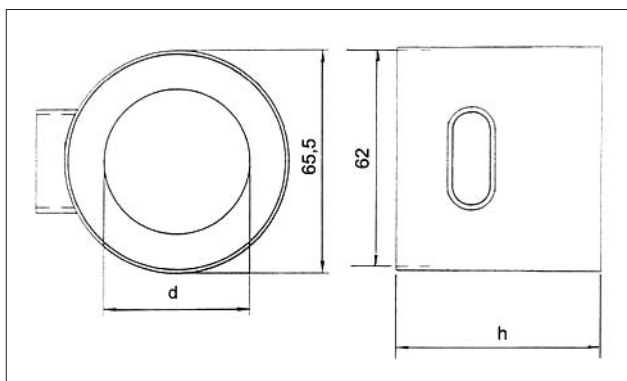
Vending machines of warm and cold drinks, vending sector.

### CONSTRUCTIVE CHARACTERISTICS

- **Mixing units.**

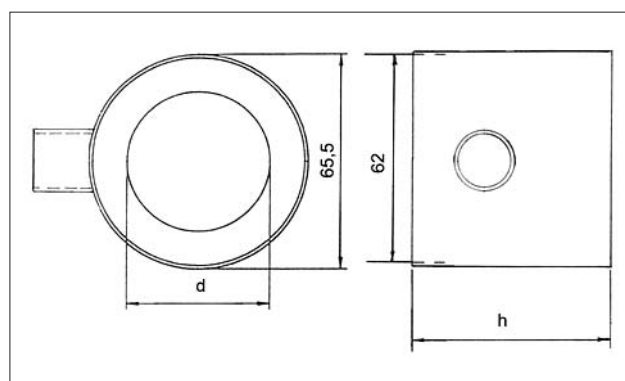
The different items are produced with materials in compliance with the regulations concerning food-grade products. Different shapes are available to dispense different products with a wide range of positioning and flow. The possibility to choosing between different colours allows to better matching the components in accordance to the customer's demands.

### DIMENSIONS



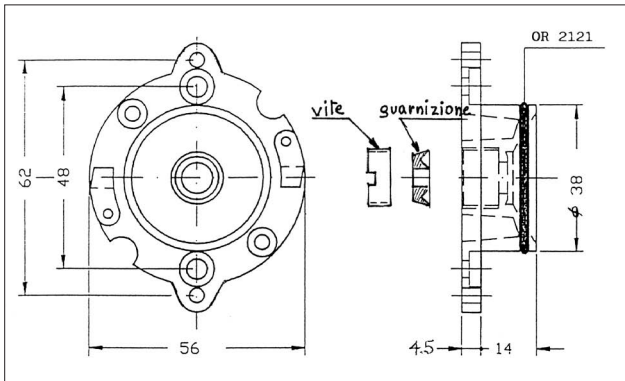
#### UPPER SUCTION SUPPORT

Cod. 204724 d=43,5 h=39,5 mm  
Cod. 204190 d=40 h=50 mm

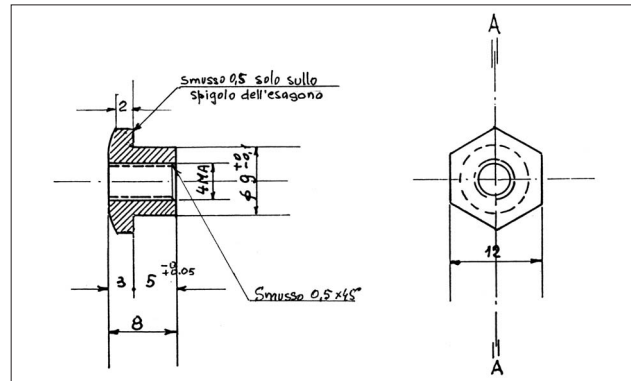


#### UPPER SUCTION SUPPORT

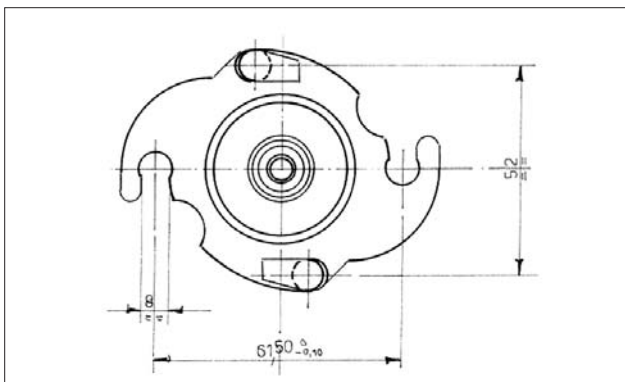
Cod. 204732 d=43,5 h=39,5 mm  
Cod. 204725 d=40 h=50


**BASE ASSEMBLY**

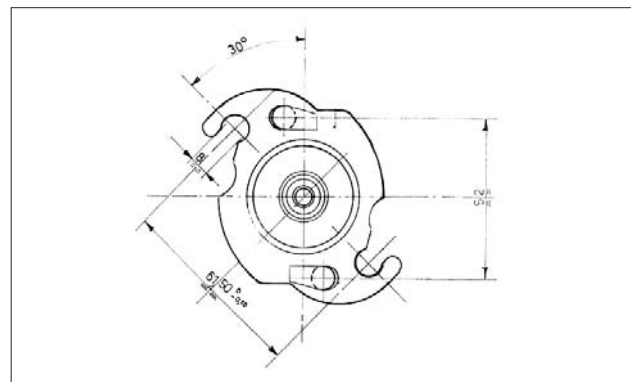
Cod. K204713 Complete (resistant to 150°C)  
 Cod. K204715 Without screw and gasket  
 Cod. K204716 Blind


**BASE ASSEMBLY NUT**

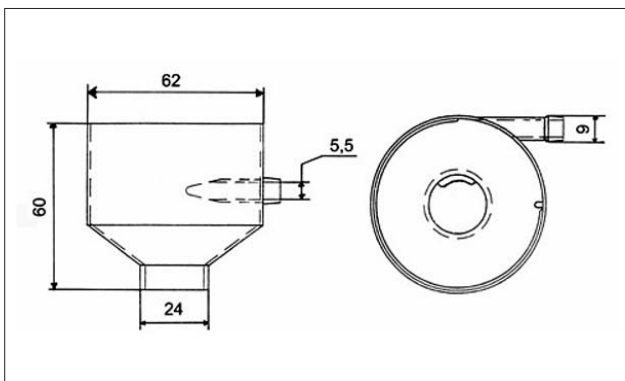
Cod. 204743 Nylon 6,6  
 Cod. 204744 Brass OT58


**BASE ASSEMBLY**

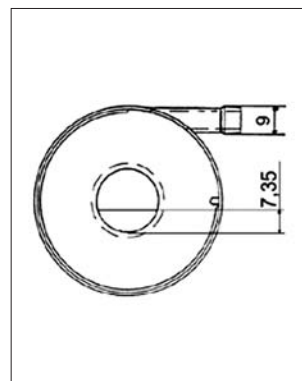
Cod. K204717


**BASE ASSEMBLY**

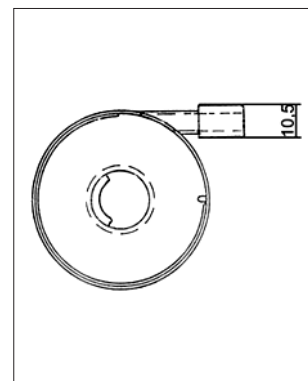
Cod. K204718


**FUNNEL**

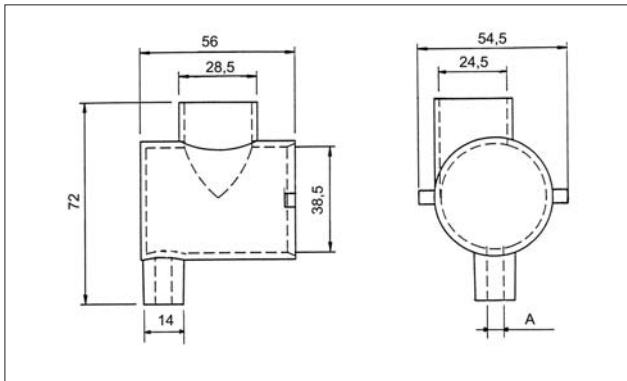
Cod. 204718


**FUNNEL**

Cod. 204737

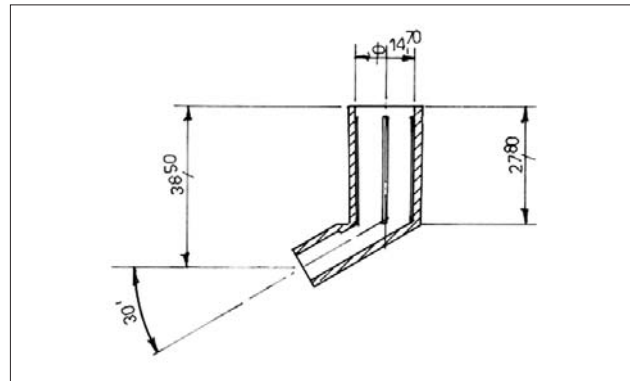

**FUNNEL**

Cod. 204738



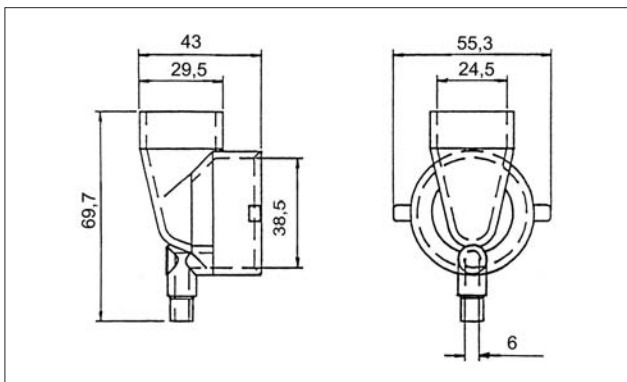
**MIXING BODY**

Cod. 204717/4 Foro A diam. 4 mm  
 Cod. 204717/6 Foro A diam. 6 mm  
 Cod. 204717/12 Foro A diam. 12 mm



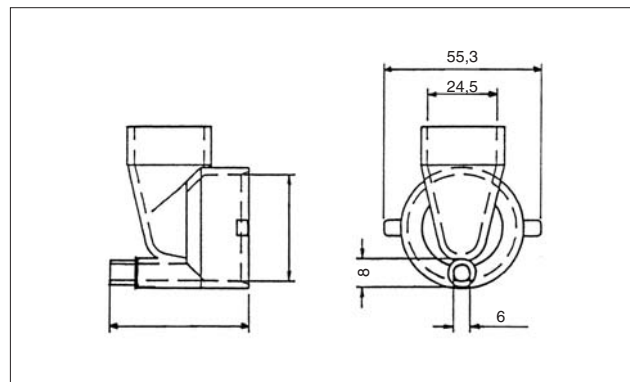
**NON-TOXIC PIPE CONNECTING PIPETTE**

Cod. 204720



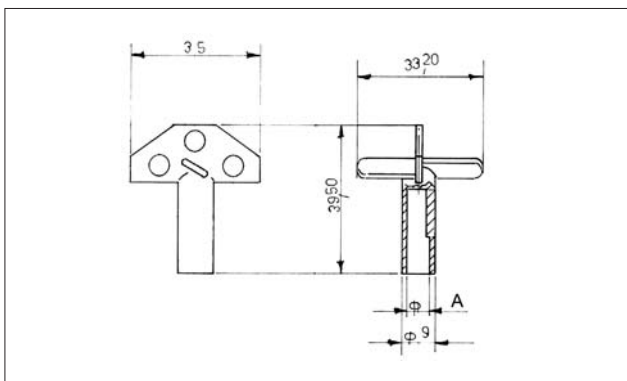
**MIXING BODY**

Cod. 204733



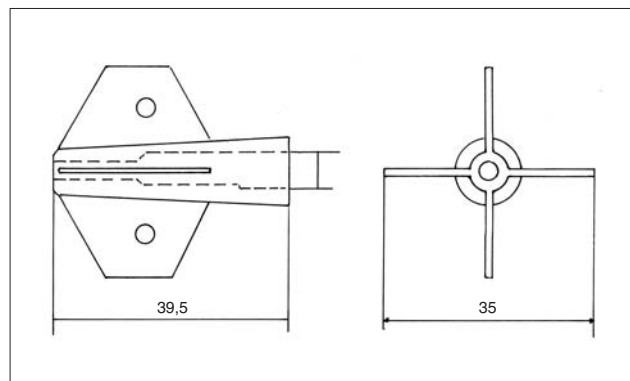
**MIXING BODY**

Cod. 204734/NB



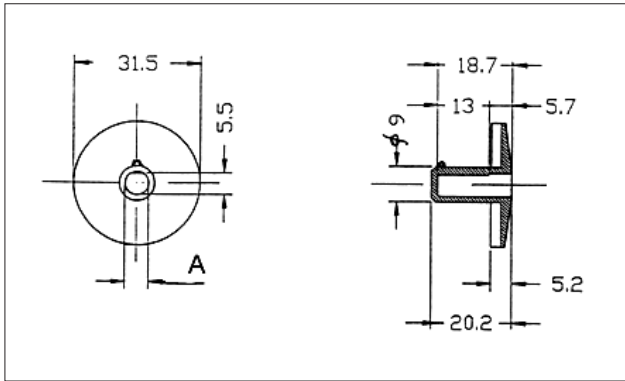
**FAN**

Cod. 204719/5 Hole A diam. 6 mm  
 Cod. 207719/6,3 Hole A diam. 6,3 mm

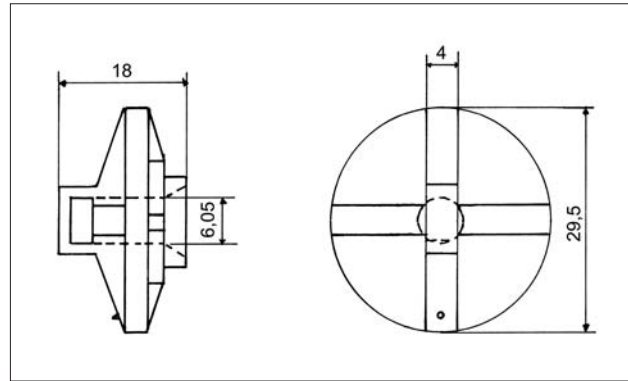


**FAN**

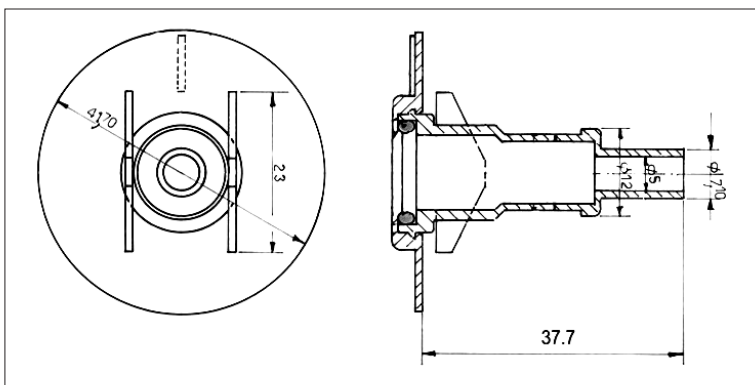
Cod. 204727/6 Hole A diam. 6 mm  
 Cod. 207727/6,3 Hole A diam. 6,3 mm



**FAN**  
 Cod. 204735/6 Hole A diam. 6 mm  
 Cod. 204735/6,3 Hole A diam. 6,3 mm  
 Cod. 204735/R Hole A diam. 6 mm Colore Rosso



**FAN**  
 Cod. 204749



**QUICK COUPLING**  
 Cod. K204720