

## MOTOR WHIPPER



### GENERAL CHARACTERISTICS

Motor whippers have been designed to satisfy all mixing requirements in different rotational speeds. They can be controlled with the highest precision of operation. Special attention has been paid to the assembly devices to get an economically interesting product.

### TYPICAL APPLICATIONS

Vending machines of warm and cold drinks and different products

### CONSTRUCTIVE CHARACTERISTICS

- **DC motors.**

The DC motor whippers use DC brush and permanent magnet motors for 24 - 110 - 220 V power supply. These motors are suitable for intermittent duty and allow reversal of rotation. Special self-lubricating bushings guarantee a silent operation and a reliable product.

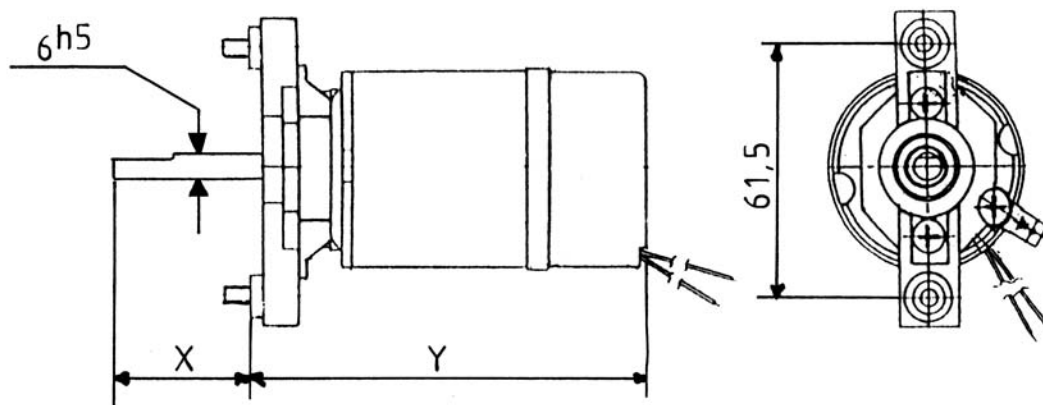
- **AC motor.**

The AC motor whippers are built on the basis of DC models with the addition of one electronic card (diode bridge). Power supply: 24 - 110 - 220 V.

- **Accessories**

Special mixing systems (see catalogue MIXING UNITS), such as mixing chambers, stirring fans and conveyors complete our mixing system program.

## DESIGN AND OVERALL DIMENSIONS



- The X dimension depends on the support used and it can be: 31 mm - 34 mm - 42 mm.
- The Y dimension depends on the support used and it can be: 100 mm-108 mm-111 mm.

## USEFUL INFORMATION

- **Room temperature**

Our gearmotors and components lubricating system allows the most different applications because our standard motors can operate at room temperatures between - 5° and +40° C.

- **The shaft direction of rotation** is always counter-clockwise.

- **Customized models.**

Customized gearmotors can be produced by special quantity orders.

## TECHNICAL DATA

Voltage	Loadless RPM	Maximum torque in Nm
24 V AC	9100	0,45
110 V AC	12000	0,35
230 V AC	10500	0,38
24 V DC	11000	0,14

Other models with different RPMs are available on request.