

GEARMOTOR K 930



GENERAL CHARACTERISTICS

The gearmotor K 930 has been designed to satisfy the special requirement of an economic product that can perform precise operations with the possibility of controlling its movement.

TYPICAL APPLICATIONS

Vending machines of snacks, drinks and various products

CONSTRUCTIVE CHARACTERISTICS

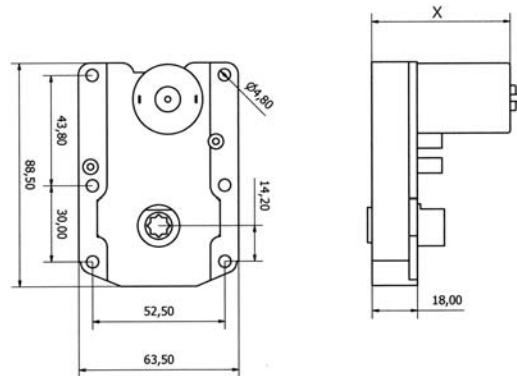
- **Reduction gears.**

The K 930 reduction gear cases are made of a special plastic material with high mechanical resistance and are ultrasound assembled. They are provided with different types of fasteners for the assembly and the control systems. The kinematical gear chain is made of special plastic materials that guarantee a silent and the reliable operation.

- **DC motors for "intermittent duty".**

The DC gearmotors K 930 use DC brush and permanent magnet motors for 12 and 24 V power supply. These motors are of two-way operation type and they require the respect of the intermittent duty operation times.

DESIGN AND OVERALL DIMENSIONS



The X height depends on the motor used and it ranges between 55 and 69 mm.

USEFUL INFORMATION

- **Room temperature.**

Our gearmotors and components lubricating system allows the most different applications because our standard motors can operate at room temperatures between - 5° and +40° C.

- **Drive system with no shaft.**

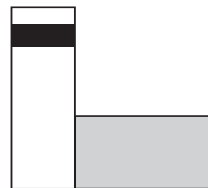
Our standard product range includes one model without drive shaft (SA) provided with a through hole that allows the direct connection to your attachment. See picture below.

N.B. The shaft direction of rotation must always be considered by looking the reduction gear from the opposite motor side.

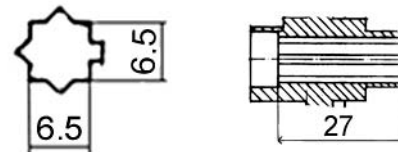
rotation
view



SA model (with no shaft)



Shape and dimensions of through-hole seat



- **Available on request:**

Motor protection cover
Electronic card with one incorporated rotation control micro-switch
Rotation control micro-switch
Motor with Encoder for rotational speed control
Reduction gear case made of fireproof material

- **Customized models.**

Customized gearmotors can be produced by special quantity orders

TECHNICAL DATA

RPM at 24 V	Maximum torque in Nm
11	4,0
16	3,5
24	4,2
33	3,3
60	3,0
85	3,1

Other models with different RPMs are available on request.